

4

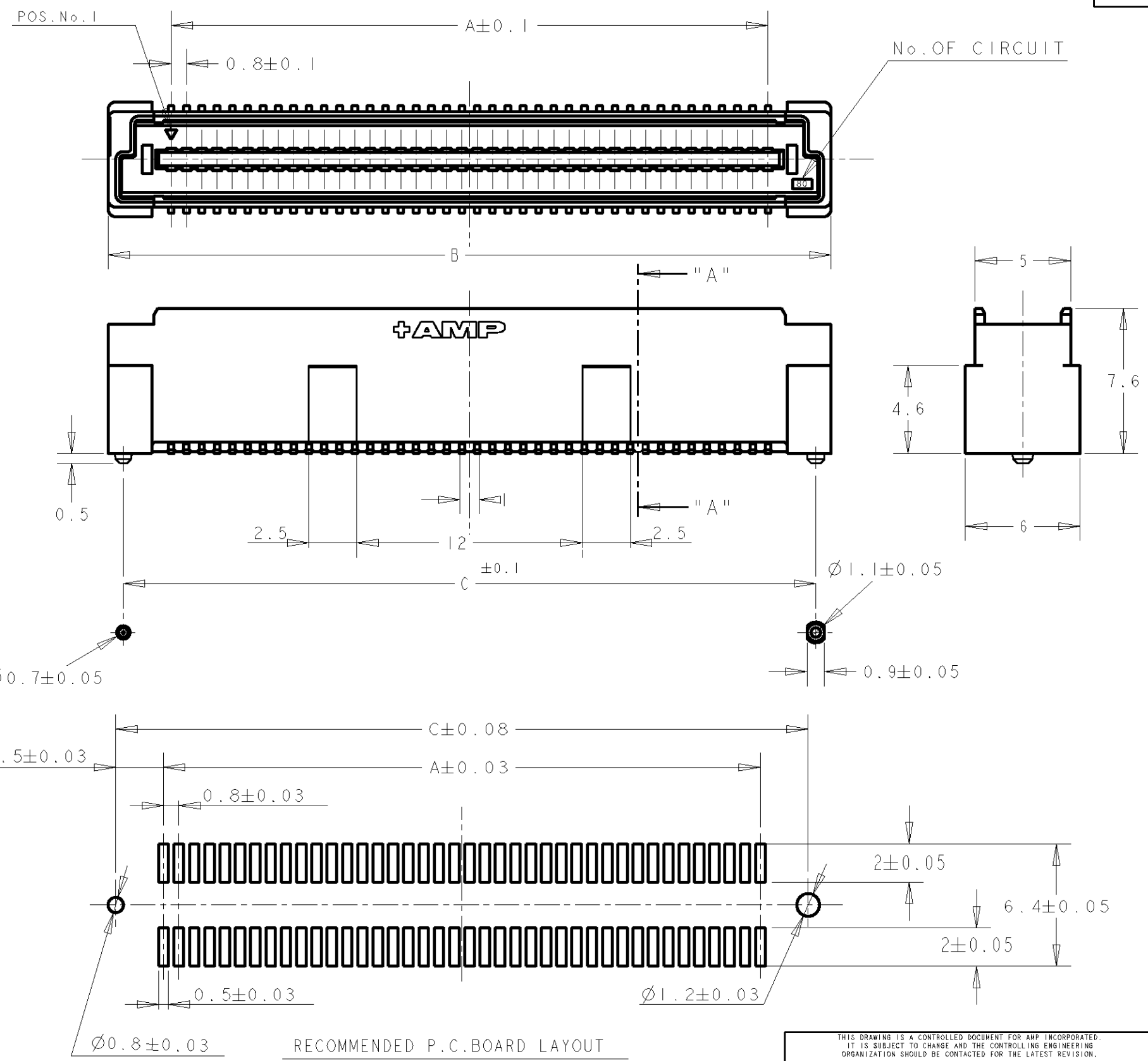
3

2

1

THIS DRAWING IS UNPUBLISHED. RELEASED FOR PUBLICATION .19 .  
 © COPYRIGHT 19 BY AMP INCORPORATED. ALL RIGHTS RESERVED.

LOC	DIST	REVISIONS					
		P	LTR	DESCRIPTION	DATE	DWN	APVD
DY	-	01		REVISED PER ECR-06-029208	14DEC06	SYJ	LSF



- NOTES:
- 1. MATERIAL; HOUSING: L.C.P. (HIGH TEMP. THERMOPLASTIC) UL 94V-0, NATURAL. CONTACT: BRASS.
  - 2. FINISH; CONTACT AREA: 0.00076 MIN GOLD ON 0.0013 MIN ALL OVER NICKEL. SOLDERING AREA: 0.002 MIN MATTE-TIN.
  - 3. POSITION SERIES: SEE TABLE.
  - 4. CONN STACK HEIGHT COMBINE OF PLUG "Y"H VS REC "X"H. STACK HEIGHT = Y + X - 5

P/N SEE SHEET 2 OF 2

THIS DRAWING IS A CONTROLLED DOCUMENT FOR AMP INCORPORATED. IT IS SUBJECT TO CHANGE AND THE CONTROLLING ENGINEERING ORGANIZATION SHOULD BE CONTACTED FOR THE LATEST REVISION.		DWN FLORENCE TAN	14SEP04	Tyco Electronics (Singapore) Pte. Ltd.
DIMENSIONS: mm		CHK ERIC TNG	APVD SF J FONG	
TOLERANCES UNLESS OTHERWISE SPECIFIED: 0 PLC ± 1 PLC ±0.30 2 PLC ±0.25 3 PLC ±0.20 4 PLC ± ANGLES ±3°		PRODUCT SPEC 108-5390	APPLICATION SPEC 114-5254	SIZE A3
MATERIAL 1	FINISH 2	WEIGHT -	CUSTOMER DRAWING	CAGE CODE 00779
		DRAWING NO 6123002		SCALE 4:1
		SHEET 1 OF 2		REV 01

4

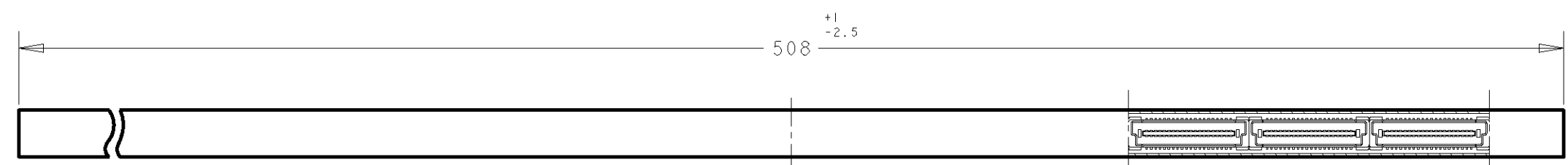
3

2

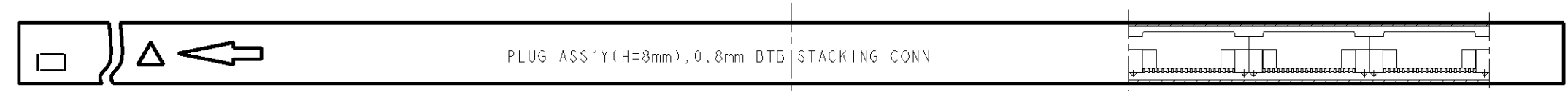
1

THIS DRAWING IS UNPUBLISHED. RELEASED FOR PUBLICATION .19 .  
 © COPYRIGHT 19 BY AMP INCORPORATED. ALL RIGHTS RESERVED.

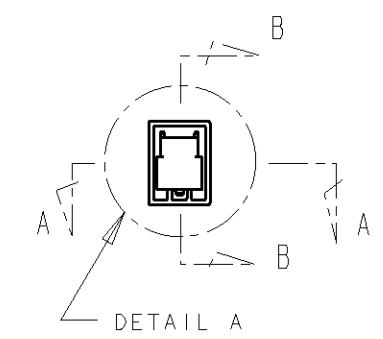
LOC	DIST	REVISIONS			
P	LTR	DESCRIPTION	DATE	DWN	APVD
DY	-	- SEE SHT 1 OF 2	-	-	-



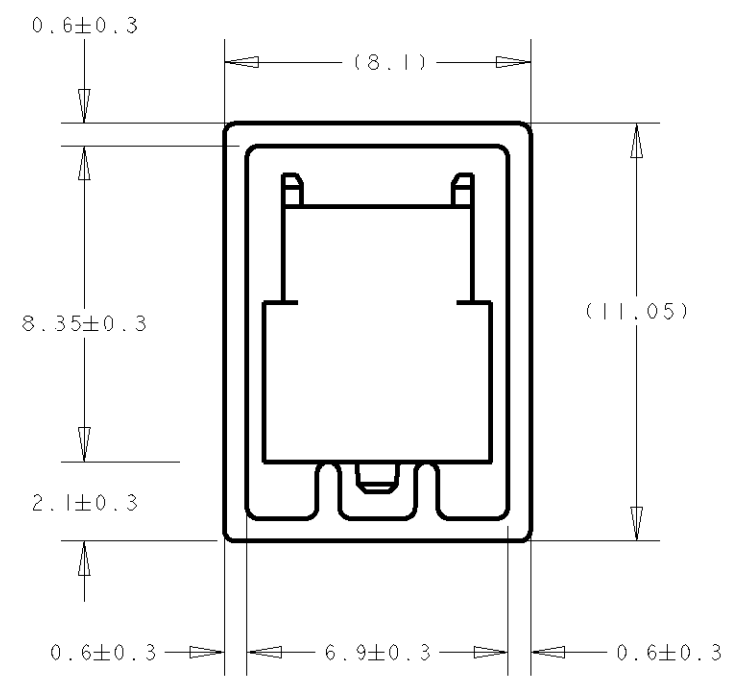
SECT A-A



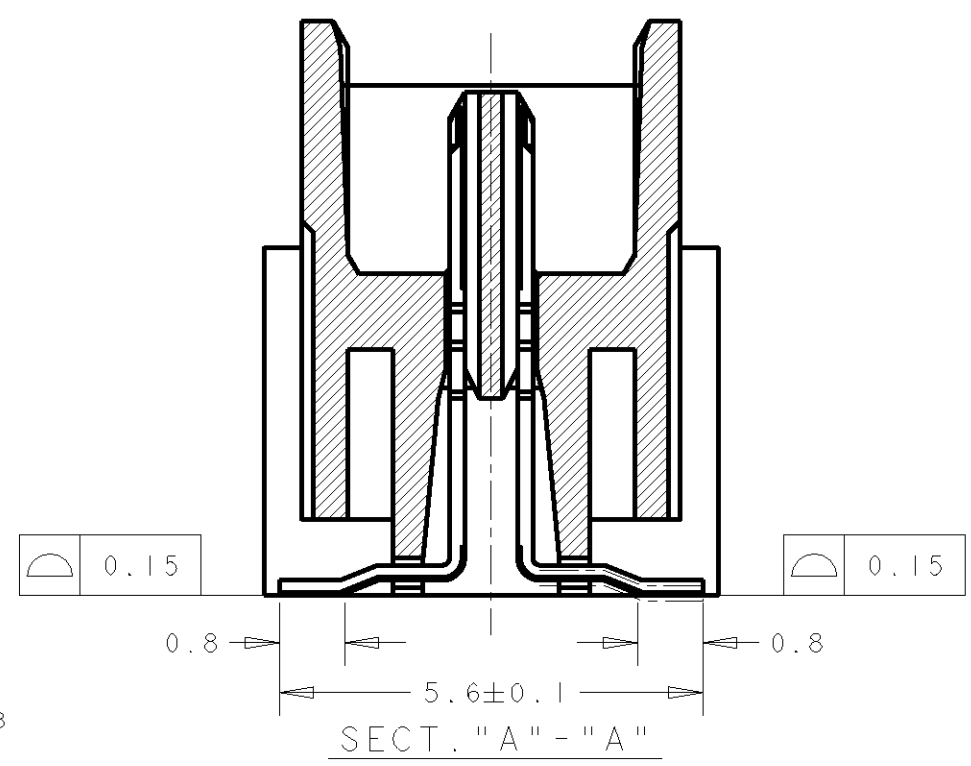
SECT B-B



REFERENCE PICTURE OF TUBE PACK



DETAIL "B"  
(SCALE 5-1)



SECT. "A" - "A"

STATUS	QTY/TUBE	C	B	A	POS.	CONN P/N
NOT AVAILABLE	14	32.2	33.8	27.2	70	1- -1
AVAILABLE	5	84.2	85.8	79.2	200	1- -0
	6	76.2	77.8	71.2	180	-9
	6	68.2	69.8	63.2	160	-8
	7	60.2	61.8	55.2	140	-6
	9	52.2	53.8	47.2	120	-5
	10	44.2	45.8	39.2	100	-4
	12	36.2	37.8	31.2	80	-3
	16	28.2	29.8	23.2	60	-2
	22	20.2	21.8	15.2	40	6123002-1

<small>THIS DRAWING IS A CONTROLLED DOCUMENT FOR AMP INCORPORATED. IT IS SUBJECT TO CHANGE AND THE CONTROLLING ENGINEERING ORGANIZATION SHOULD BE CONTACTED FOR THE LATEST REVISION.</small>		DWN 13SEP04 FLORENCE TAN CHK ERIC TNG APVD SF J FONG	<b>tyco</b> Electronics Tyco Electronics (Singapore) Pte. Ltd.
DIMENSIONS: mm 	TOLERANCES UNLESS OTHERWISE SPECIFIED: 0 PLC ± 1 PLC ±0.30 2 PLC ±0.25 3 PLC ±0.20 4 PLC ± ANGLES ±3°	PRODUCT SPEC 108-5390 APPLICATION SPEC 114-5254 WEIGHT -	NAME PLUG ASSY FOR FH 0.8 BTB CONNECTOR 8H 0.5 BOSS LENGTH (0.76um GOLD)
MATERIAL 1 	FINISH 2 	CUSTOMER DRAWING	SIZE A3 CAGE CODE 00779 DRAWING NO C-6123002 SCALE 4:1 SHEET 2 OF 2 REV 01